

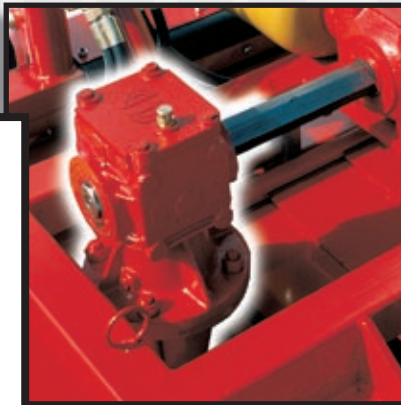
ROTARY MOWER **CASTOR**

For Vineyards

STABLE
CONSTRUCTION

•
HEAVY DUTY
GEARBOX

•
UNIVERSAL
APPLICATION THROUGH
HYDRAULIC WIDTH
ADJUSTMENT



SAUERBURGER

THE NEW GENERATION OF WIDTH ADJUSTABLE MOWERS

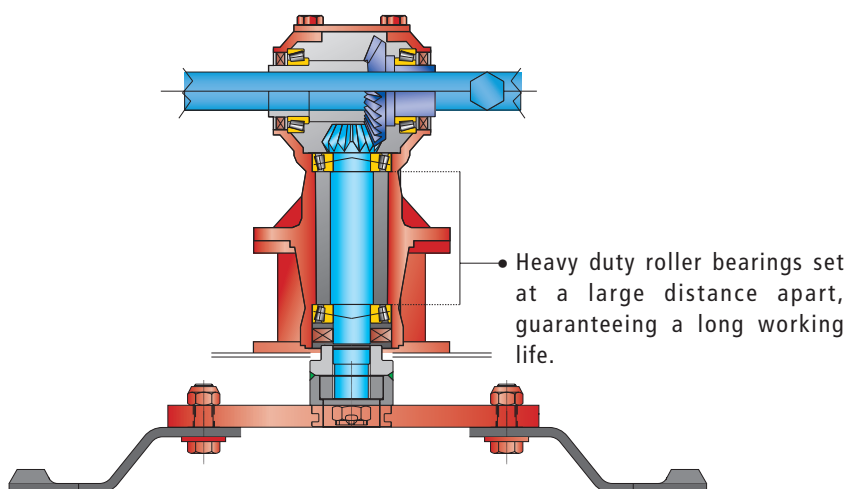
The SAUERBURGER CASTOR with its seamless hydraulic width adjustment, offers the opportunity to mow in rows of varying widths. The center gearbox is fixed and has a transmission shaft that allows the 2 outer gearboxes to move seamlessly. This proven technology reduces wear and keeps the running costs low.

Other advantages are:

- Compact and reliable
- Stable construction guaranteeing a long life
- Fast cutting, reducing the operation time during high season
- Large over-cut between the knives even at full width
- Even distribution of the grass behind the machine
- Large dimensioned front rollers
- Large dimensioned, height adjustable rear roller

① Compact and stable construction

② Large over-cut also when fully extended



Type	Min. working width m	Working width m	Weight kg
CASTOR 1150	1,15	1,14 - 1,45	505
CASTOR 1250	1,25	1,24 - 1,66	520
CASTOR 1350	1,35	1,34 - 1,80	530
CASTOR 1450	1,45	1,44 - 2,00	535

Sales Service and Advice



Details and figures stated are approximate and not binding. We reserve the right to proceed to construction modifications at any time.



①



②



STANDARD FEATURES

- Stable sliding construction
- 3 Heavy duty gear boxes connected with a hexagon drive shaft
- 2 rotors with 2 blades each
- Double action hydraulic cylinder for width adjustment
- Safety guards
- Front rollers and height adjustable rear roller
- CAT I mounting

Im Bürgerstock 3

D-79241 Wasenweiler

Tel. 07668-90320 · Fax -7802

info@sauerburger.de

www.sauerburger.de